



P.I.T.[®]

Progressive Innovative Technology

EN PRODUCT PASSPORT
USER'S MANUAL

RU ПАСПОРТ ИЗДЕЛИЯ
ИНСТРУКЦИЯ ПОЛЬЗОВАТЕЛЯ

ELECTRIC DRILL

ДРЕЛЬ-ШУРУПОВЕРТ ЭЛЕКТРИЧЕСКАЯ



PBM10-C1

PBM10-C2

PBM10-D

PROGRESSIVE INNOVATIONAL TECHNOLOGY

ПРОГРЕССИВНЫЕ ИННОВАЦИОННЫЕ ТЕХНОЛОГИИ



GENERAL SAFETY PRECAUTIONS

1. Always keep the workplace clean. Contaminated workplace and workbenches increase the risk of accidents.
2. Follow the operation manual carefully. Do not use the tool when it rains. Also do not use the tool in damp locations. The workplace should be well-lit. Do not use the tool near flammable liquids or gas. During operation, as well as power on and power off, the tool generates sparks. Therefore, never use the tool in places where there are varnishes, paints, gasoline, dissolvers, gas, adhesives and other flammable and explosive materials.
3. To prevent electric shock during operation, make sure that the drill case is not in contact with grounded objects, for example, when laying pipes, when installing heating batteries, plates, refrigerators, etc.
4. Keep children away from the electric tool while it is operating. Keep unauthorized persons away from the electric tool and power extender.
5. Store the tool in a dry and lockable place so that it does not fall into the hands of children or unauthorized persons.
6. Use the tool without pressure and applying force. The drill will work better and more reliably if you use the recommended speeds by the operation manual.
7. Use only those types of tools that directly comply with the requirements of this type of work. For jobs requiring a high power tool, you cannot use a tool with a lower power. It is recommended to use tools suitable for the application purposes, for example, do not use a circular saw in order to saw down knots or trees.
8. During work, wear comfortable and suitable clothing. Do not also wear jewelry during operation. Loose parts of clothing or jewelry can be tightened by moving parts of the tool. During work on the street, rubber gloves and comfortable shoes with lug sole should be worn on so that the sole does not slip.
9. If a large amount of dust forms during operation, wear safety goggles and an anti-powder mask.
10. Handle the cable with care. When unplugging, do not pull the cable. Do not leave the cable in the heat, on the oil surface or on the surface with sharp edges.
11. Secure the workpiece securely. Use clamps and jaw vices if possible to secure the part. This is more reliable than holding the part.
12. Do not tilt the tool too much. Always maintain a stable position and a good balance.
13. Watch closely for the tool conditions. For better and more reliable use, they must always be sharp and clean. Follow the operation manual for lubricating and replacing the accessories. Regularly check the tool cable condition and, if damaged, return it to the technical service centers for repairs. From time to time, check the power extender and replace it if damaged. Keep handles in a dry, clean place; do not allow oil and grease to enter the handles.
14. Disconnect tool from the mains, when not in use, and do not power on them during servicing or replacing accessories, such as a circular saw blade, drill bit, blade, etc.
15. Always check before power on the tool that the adjusting wrench and the wrench are removed.
16. Avoid involuntary power on the tool. Do not hold the connected tool by the switch. Before attaching, make sure that the tool is disconnected.
17. When working outdoors, use an appropriate power extender. Use only a power extender fits the wire cross-section.
18. Always keep the work process under control. Do not use tool if you are tired.
19. Inspect damaged parts carefully. Before further use of the tool, carefully check that the tool functions properly and if all the prescribed functions are performed by the tool. Also check the installation and fastening of moving parts, watch for parts breakage and other conditions that can adversely affect the operation of the tool. Damaged parts and protective equipment must be exchanged only in technical service centers. Defective switches are also exchanged in these centers. Do not use the tool if it cannot be powered on or off by the switch.
20. Use electric tools only for the purpose intended in the operation manual.
21. Using of the accessory components that are not listed in the operation manual or in the catalog may cause the tool damage.
22. Repair the tool only in special technical service centers. The manufacturer is not liable for damage or damage caused to the tool as a result of repair by persons who do not have special authority for this or as a result of careless handling of the tool.
23. In order to ensure the production integrity of the tool, never remove the built-in cases or bolts.
24. Do not touch the moving parts and accessories if the tool is not powered off.
25. Use a tool with low power consumption as indicated on the type plate of the tool, otherwise, due to overload, the quality of the surface to be treated, and consequently the efficiency, can be significantly reduced.
26. Do not wipe the plastic parts with solvent. Solvents such as gasoline, solvent, carbon tetrachloride, alcohol, ammonia and oil can damage the plastic material or cause cracks. When cleaning plastic parts, use soapy water and a wash-cloth.
27. Use only original replacement parts.
28. A detailed diagram of the elements in the operation manual is provided only for technical service centers.

INTENDED USE

The electric drill is designed for drilling bores in various metals, wood and plastic materials. The drill has a light weight and small dimensions, which is due to the absence of a percussive mechanism. Due to this, high accuracy of work is achieved.

EXPLANATION OF P.I.T. TRADEMARK

P.I.T. Progressive Innovational Technology

Currently, 10 kinds of mechanical and electrical equipment are produced under the P.I.T. trademark. In terms of sales, electric drills occupy one of the leading positions.

Each letter and number in the designation of the model of P.I.T. electric drills has the meaning.

For example, **PBM10-C1**

P-Trademark of P.I.T.

BM- electric drill

10 - maximum diameter of the clamping drill

C - modification series

PRINCIPLE OF OPERATION

The electromotor clamping chuck. Since the rotational speed of the motor itself is too high for the normal drilling mode, there is a reducer in the drill that reduces the speed of rotation to a normal value and at the same time increases the rotational moment (rolling force) on the drill.

DECRYPTING THE DATE OF PRODUCTION OF THE PRODUCT

Date of manufacture of the product is encrypted in the serial number printed on the tool body. The first 2 digits indicate the year of manufacture, the next 2 digits - month and the following two digits – day.

No. 17 07 30 0395

↑
↑
↑
 Year month day



MODEL PBM10-C1



MODEL PBM10-D



MODEL PBM10-C2

	PBM10-C1	PBM10-C2	PBM10-D
Rated voltage	220 V	220 V	220V
Rated frequency	50 Hz	50 Hz	50Hz
Max. drill diameter	10 mm	10 mm	10mm
No-load speed	0-800 rpm	0-350/1050 rpm	0-2800 rpm
Rated output capacity	400 W	400 W	500w
Weight	1.7 kg.	1.9 kg.	1.7Kg.

FUNCTIONAL CAPABILITIES AND FEATURES OF THE ELECTRIC DRILL
Functional Capabilities:

It is used for drilling bores in plastic, ceramics, metal and wood. The tool is equipped with electronic speed controller; it has the functionality of reverse rotation.

It can be used for tapping with special equipment.

Features:

- Sensitive start, drilling accuracy.
- Fully plastic case, lightweight and durable.
- High-quality metal gear wheels.
- Self-blocking key.

Note: ■ – available □ – not available

MODEL	DOUBLE INSULATION	SPEED CONTROLLER	REVERSE ROTATION	SELF-BLOCKING KEY	DRILLING MODE
PBM10-C1	■	□	■	■	■
PBM10-C2	■	□	■	■	■
PBM10-D	■	■	■	■	■

ELECTRIC DRILL ASSEMBLY


1 CLAMPING CHUCK



For models PBM10-C1, PBM10-C2 material of chuck is metal and plastic. For the PBM10 - D model, material of chuck is plastic. For replacement of the drill, no key is required. Loosening and tightening of the chuck is carried out manually

5 SELF-BLOCKING KEY

Necessary for short-time continuous operation of the tool

6 HANDLE

Is equipped with soft rubber for comfortable work of the user.

2. GEARBOX ASSEMBLY WITH ROTATIONAL MOMENT CONTROLLER



When drilling bores in different materials, it is possible to adjust the rotational moment. To set the desired value, combine the number on the regulator ring with the arrow on the case upper part. This function have screwdrivers PBM10-C1, PBM10-C2

7 TOOL HANGING RING



Designed for convenience while working at height

3 POWER KEY



is used to start the tool. It is only necessary to press a finger on the key, the stronger the force of pressing the key, the faster the tool's rotation speed. When the key is released, the tool stops moving. On the PBM10-D model, the speed control wheel is located on the center of the power button, the maximum speed of the tool is limited.

8 ELECTRIC CABLE



It consists of a rubberized outer layer, which has a high level of safety, and resistance to high temperatures, corrosion.

4 REVERSE ROTATION SWITCH



allows to change the direction of drill rotation, both clockwise and counterclockwise.

9 CASE



made of ruggedized plastic. It is used for placing both the motor and the gearbox inside the case, providing the necessary electrical protection for the user

10 DRILL ELECTROMOTOR

A. Gear

for its production high-quality alloyed steel is used, which has been processed by a milling cutter and thermal processing of hardening, which significantly improves the accuracy of assembly and wear resistance of gears.


D. Stator

The copper thread inside is worked completely automatically, what the strength, durability, and ser


B. Output shaft

it is equipped with two bearings, which greatly improves the accuracy and speed of drilling, reduces the feeling of rolling the drill during operation

E. Fan

timely removes a large amount of heat generated by the electromotor during operation, preventing overheating, achieving high cooling efficiency


C. Rotor

the method of fully automatic thread winding, a grid is added around the rotor that prevents ingress of dust, small stones and other foreign bodies from onto the enamel wires (the enamel wire is made of copper wire, resistant to high temperatures up to 180°C) and increases the rotor service life.

The silver content in the switch-board is 8/10000, which makes the switch-board surface smoother, increasing its service life.


F. Carbon brushes

The carbon brushes used in the board are sliding contacts for current output and input. Imp materials are used for their manufacturing, which increases service life.

Note:

On models PBM10-C1, PBM10-C2 gearbox assembly with rotational moment controller, hanging ring

RULES OF OPERATION

Rules of individual safety during electric drill operation

1. Install the drill bit into the chuck and tighten the chuck securely.

Improper installation of the drill bit is dangerous, as it can cause the drill to slipping out during operation.

2. During operation, use gloves made of a material that does not slip, such as cotton, wool, etc.

3. Do not touch the drill bit during operation, otherwise it may cause severe burns.

4. Make sure the drill bit is firmly fixed before start drilling.

5. Before start drilling in the wall, floor, or ceiling, you must make sure that no electric cable is laid in the drilling place.

6. Be careful during operation at height.

Rules of correct operation of the electric drill

1. When drilling bores in the metal, first mark the place where the drill bit will be drilled.

2. When drilling large bores pre-pass a small diameter drill bit, and then use a larger diameter drill bit for drilling.

3. If it is necessary to drill bores in the metal for a long time, take measures to ensure that the drill bit is cooled to keep it sharp.

4. It is strictly forbidden to remove metal shavings that occur during drilling with hands, use special tools for this purpose.

Before start operation to pay attention:

1. Make sure that the connected power supply matches the model of the electric drill and that the protective device against leakage of electric current is installed.

2. The drill fits the holder and is well installed.

3. Make sure that the power key is in the self-locking position, otherwise, when the plug is powered on in the power supply socket, the electric drill will start to rotate spontaneously, which can lead to injury to a person.

4. If the workplace is far from the power supply, it is recommended to use a power extender with a sufficient wire cross-section that meets the necessary requirements. If the power extender passes through a place where people walk, then stretch it through the air or take measures to prevent the cable from being accidentally damaged.

MAINTENANCE

An electric drill under normal operation is subject to inevitable wear and tear.
It must be cared for in a timely manner.

Below are a few points for the maintenance of the electric drill:

1. CHECK DRILL BITS

The use of a blunt drill leads to a decrease in efficiency, therefore, upon detection - immediately replace it.

2. CHECK THE RETENTION SCREWS ON THE ELECTRIC DRILL CASE

Before operating, check the tightening of the screws on the electric drill case. At detection of the untwisted screws it is necessary to tighten them immediately; otherwise, the similar situation can lead to breakage of an electric drill.

3. CHECK THE CARBON BRUSHES.

The carbon brushes in the electromotor are consumables. If the degree of wear of the carbon brushes exceeds the existing restrictions, it can lead to the failure of the electromotor. Therefore, worn brushes must be replaced immediately.

4. TO CHECK THE GROUNDING.

Grounding is a basic safety measure. For instruments of class I (metal casing), you should regularly check the quality of the case grounding.

Tool maintenance must be performed only by experienced personnel of authorized technical service centers.

TERMS OF WARRANTY SERVICE

1. This Warranty Certificate is the only document that confirms your right to free warranty service. Without presenting this certificate, no claims are accepted. In case of loss or damage, the warranty certificate is not restored.

2. The warranty period for the electric machine is 12 months from the date of sale, during the warranty period the service department eliminates manufacturing defects and replaces parts that have failed due to the fault of the manufacturer free of charge. In the warranty repair, an equivalent operable product is not provided. Replaceable parts become property of service providers.

P.I.T is not liable for any damage that may be caused by operation of the electric machine.

3. Only clean tool accompanied with the following duly executed documents: this Warranty Certificate, Warranty Card, with all fields filled out, bearing the stamp of the trade organization and the signature of the buyer, shall be accepted for warranty repair.

4. Warranty repair is not performed in the following cases:

- in the absence of a Warranty Certificate and a Warranty Card or their incorrect execution;
- with failure of both a rotor and a stator of the electric engine, charring or melting of primary winding of the welding machine transformer, charging or starting-charging device, with internal parts melting, burn down of electronic circuit boards;
- if a Warranty Certificate or a Warranty Card does not correspond to this electric machine or to the form established by the supplier;
- upon expiration of the warranty period;
- at attempts of opening or repair of the electric machine outside the warranty workshop; making constructive changes and lubrication of the tool during the warranty period, as evidenced, for example, by the creases on the spline parts of the fasteners of non-rotational parts.
- when using electric tools for production or other purposes connected with making a profit, as well as in case of malfunctions related to instability of the power network parameters exceeding the norms established by GOST;
- in the events of improper operation (use the electric machine for other than intended purposes, attachments to the electric machine of attachments, accessories, etc. not provided by the manufacturer);
- with mechanical damage to the case, power cord and in case of damages caused by aggressive agents and high and low temperatures, ingress of foreign objects in the ventilation grids of the electric machine, as well as in case of damage resulting from improper storage (corrosion of metal parts);
- natural wear and tear on the parts of the electric machine, as a result of long-term operation (determined on the basis of the signs of full or partial depletion of the specified mean life, great contamination, presence of rust outside and inside the electric machine, waste lubricant in the gearbox);
- use of the tool the purposes for other than specified in the operating instructions.
- mechanical damages to the tool;
- in the event of damages due to non-observance of the operating conditions specified in the instruction (see chapter "Safety Precautions" of the Manual).
- damage to the product due to non-observance of the rules of storage and transportation.

Preventive maintenance of electric machines (cleaning, washing, lubrication, replacement of anthers, piston and sealing rings) during the warranty period is a paid service.

The service life of the product is determined by the manufacturer and is 2 years from the date of manufacture,

The owner is notified of any possible violations of the above terms of warranty service upon completion of diagnostics in the service center.

The owner of the tool entrusts the diagnostic procedure to be conducted in the service center in his absence.

Do not operate the electric machine when there are signs of excessive heat, sparking, or noise in the gearbox. To determine the cause of the malfunction, the buyer should contact the warranty service center.

Malfunctions caused by late replacement of carbon brushes of the engine are eliminated at the expense of the buyer.

5. The warranty does not cover:

- replacement of parts (accessories and furniture), for example: accumulators, disks, knives, drills, bores, cartridges, chains, sprockets, collet clamps, buses, tensioning elements and fasteners, trim tabs, pads of grinders and tape machines, etc.
- quick-wear parts, for example: carbon brushes, drive belts, glands, protective covers, guide rollers, guides/rails, rubber seals, bearings, timing belts and wheels, shafts, brake band, ratchet wheels and starter cables, piston rings, etc. Replacing them during the warranty period is a paid service.
- power cords, in case of insulation damage, power cords are subject to mandatory replacement without the consent of the owner (paid service),
- casing of machine.



P.I.T. WARRANTY CERTIFICATE

Product Name _____

Product Number

Serial Number

Place of Seal

Sale Date _____

Trade Organization Name _____

Dear customer!

Thank you for purchasing the P.I.T tool, and we hope that you will be satisfied with your choice. In the process of manufacturing the P.I.T tools pass multilevel quality control, if nevertheless your product will need maintenance, please contact the authorized P.I.T service centers.

Attention!

When buying, ask a seller to check the completeness and operability of the tool, to fill out the Warranty Certificate, the Warranty Card (the boxes shall be filled out by a seller) and to affix the seal of the trade organization in the Guarantee Certificate and the Warranty Card.

Warranty

By this Warranty Certificate, P.I.T. company guarantees the absence of defects of the production nature.

In the event any of the above defects are detected during the warranty period, the specialized P.I.T. service centers shall repair the product and replace the defective spare parts free of charge.

The warranty period for P.I.T. electric machines is 12 months from the date of sale.

“The warranty maintenance terms acknowledged and accepted. The operability and completeness of the product are checked in my presence. No claims on quality and appearance.”

Buyer’s Signature _____ **Surname (legibly)** _____

Phone _____

ОБЩИЕ МЕРЫ БЕЗОПАСНОСТИ

1. Всегда поддерживайте рабочее место в чистом состоянии. Загрязненные рабочие поверхности и верстаки повышают опасность несчастного случая.
2. Строго соблюдайте рекомендации инструкции по эксплуатации. Не используйте инструмент во время дождя. Также не используйте инструмент во влажных помещениях. Рабочее место должно быть хорошо освещено. Не используйте инструмент вблизи легковоспламеняющихся жидкостей или газа. Во время эксплуатации, а также при включении и выключении инструмент вырабатывает искры. Поэтому никогда не используйте инструмент в тех местах, где находятся лак, краски, бензин, растворитель, газ, клей и другие воспламеняющиеся и взрывоопасные материалы.
3. Чтобы Вас во время работы не ударило током, следите за тем, чтобы корпус дрели не был в контакте с заземленными предметами, например при прокладке труб, при установке отопительных батарей, плит, холодильников и т.д.
4. Храните инструмент таким образом, чтобы дети не могли им воспользоваться. Избегайте контакта других лиц с инструментом или удлинителем.
5. Храните инструмент в сухом и запираемом месте, чтобы он не попал в руки детям или другим лицам.
6. Используйте инструмент без нажима и применения силы. Дрель будет работать лучше и надежнее, если использовать скорости, рекомендуемые инструкцией.
7. Пользуйтесь только теми инструментами, которые непосредственно соответствуют требованиям работы данного типа. Для работ, требующих инструмент высокой мощности, нельзя использовать инструмент с более низкой мощностью. Рекомендуется использовать инструменты, соответствующие цели применения например, не следует применять циркулярную пилу для того, чтобы отпиливать сучки или спилить дерево.
8. Во время работы следует надевать удобную и подходящую для работы одежду. Не следует также во время работы надевать украшения. Свободно болтающиеся части одежды или украшения могут быть затянуты движущимися частями инструмента. Во время работы на улице следует надевать резиновые перчатки и удобную обувь на рифленой подошве, чтобы подошва не скользила.
9. Если во время работы образуется большое количество пыли, то следует надевать защитные очки и противопылевую маску.
10. Осторожно обращайтесь с кабелем. При выключении из розетки не тяните за кабель. Не оставляйте кабель на жаре, на масляной поверхности или на поверхности с острыми краями.
11. Надежно закрепляйте обрабатываемую деталь. Для закрепления детали используйте по возможности тиски и зажимы. Это более надежно, чем удерживать деталь в руках.
12. Не наклоняйте инструмент слишком сильно. Всегда сохраняйте устойчивое положение и хороший баланс.
13. Внимательно следите за состоянием инструментов. Для лучшего и более надежного использования они должны быть всегда острыми и чистыми. Следуйте указаниям по смазке и замене комплектующих деталей. Регулярно проверяйте состояние кабеля инструмента и при повреждении отдавайте в ремонт в центры техобслуживания. Время от времени проверяйте удлинитель и заменяйте его при повреждении. Рукоятки храните в сухом, чистом месте, не допускайте попадания на рукоятки масла и жира.
14. Осоединяйте инструменты от сети, если они не используются, и не включайте при техобслуживании или замене комплектующих деталей, таких, как например, пильный диск, сверло, нож и т.д.
15. Всегда проверяйте перед включением инструмента, удалены ли установочный и гаечный ключи.
16. Избегайте произвольного включения инструмента. Не держите подсоединенный инструмент за переключатель. Перед присоединением убедитесь, что инструмент выключен.
17. При работе на свежем воздухе используйте соответствующий удлинитель. Используйте только такой удлинитель, который подходит по сечению провода.
18. Процесс работы всегда держите под контролем. Не работайте с инструментом в утомленном состоянии.
19. Внимательно проверяйте поврежденные детали. Перед дальнейшим использованием инструмента тщательно проверяйте, правильно ли функционирует прибор и все ли предписанные функции он выполняет. Также проверяйте установку и закрепление движущихся частей, следите за поломкой частей и другими состояниями, которые могут отрицательно сказаться на работе инструмента. Испорченные детали и предохранительные устройства должны обмениваться только в центрах техобслуживания. Дефектные выключатели также обмениваются в этих центрах. Не используйте инструмент, если он не может быть включен или выключен с помощью выключателя.
20. Используйте электронные инструменты только по назначению, указанному в инструкции по эксплуатации.
21. Использование комплектующих деталей, не указанных в инструкции по эксплуатации или в каталоге, может привести к поломке инструмента.
22. Инструмент ремонтируйте только в специальных центрах техобслуживания. Изготовитель не несет ответственности за повреждения или порчу, причиненную инструменту в результате его ремонта лицами, не имеющими на это специальных полномочий или в результате неосторожного обращения с инструментом.
23. Для того чтобы обеспечить производственную целостность инструмента, никогда не удаляйте вмонтированные крышки или болты.
24. Не дотрагивайтесь до движущихся частей и комплектующих деталей, если инструмент не выключен.
25. Инструмент с незначительной потребляемой мощностью используйте так, как указано в типовой табличке инструмента, в противном случае из-за перегрузки качество обрабатываемой поверхности, а соответственно и КПД, может значительно снизиться.
26. Не протирайте растворителем пластиковые детали. Растворители, такие как бензин, растворитель, четыреххлористый углерод, спирт, аммиак и масло могут испортить пластиковый материал или стать причиной трещин. При чистке пластиковых деталей используйте мыльную воду и тряпочку.
27. Используйте только оригинальные сменные детали..
28. Подробная схема элементов, расположенная в руководстве по эксплуатации, представлена только для сервисных центров.

НАЗНАЧЕНИЕ

Электрическая дрель – предназначена для сверления отверстий в различных металлах, дереве и пластиковых материалах. Дрель имеет легкий вес и небольшие габариты, что обусловлено отсутствием ударного механизма. Благодаря этому достигается высокая точность работ.



MODEL PBM10-C1



MODEL PBM10-D



MODEL PBM10-C2

РАСШИФРОВКА ТОРГОВОЙ МАРКИ

P.I.T.[®] Progressive Innovational Technology

(Прогрессивные Инновационные Технологии)

В настоящее время под маркой P.I.T. выпускается механическое и электрическое оборудование 10 видов. По объему продаж электрические дрели занимают одно из лидирующих мест. Каждая буква и цифра в обозначении модели электрической дрели P.I.T. имеет значение.

Например, **PBM10-D**

P – торговая марка P.I.T.

BM – электрическая дрель

10 – максимальный диаметр зажимного сверла

D – серия модификации

ПРИНЦИП РАБОТЫ

Электрический двигатель, создает вращающую силу для сверла, закрепленного в зажимном патроне. Поскольку скорость вращения самого электродвигателя слишком велика для нормального режима сверления, в дрели есть редуктор, который уменьшает скорость вращения до нормальной величины и одновременно тем самым увеличивает крутящий момент (силу вращения) на сверле.

РАСШИФРОВКА ДАТЫ ИЗГОТОВЛЕНИЯ ИЗДЕЛИЯ

Дата изготовления изделия зашифрована в серийном номере, напечатанном на корпусе инструмента. Первые 2 цифры обозначают год выпуска, следующие 2 цифры – месяц и следующие 2 цифры – день

№.

1	7	0	7	3	0	0	3	9	5
---	---	---	---	---	---	---	---	---	---

 год месяц день

ТЕХНИЧЕСКИЕ ХАРАКТЕРИСТИКИ

	PBM10-C1	PBM10-C2	PBM10-D
Номинальное напряжение	220 В	220 В	220 В
Номинальная частота	50 Гц	50 Гц	50 Гц
Максимальный диаметр сверла	10 мм	10 мм	0,8–10мм
Скорость вращения на холостом ходу	0-800 об/мин	0-350/1050 об/мин	0–2800об/мин
Номинальная мощность	400 Вт	400 Вт	500Вт
Вес	1,7 кг	1,9 кг	1,7 кг

ФУНКЦИОНАЛЬНЫЕ ВОЗМОЖНОСТИ И ОСОБЕННОСТИ ЭЛЕКТРИЧЕСКОЙ ДРЕЛИ

Функциональные возможности:

Применяется для просверливания отверстий в пластике, керамике, металле и дереве.

Инструмент оснащен устройством электронной регулировки скорости, обладает функциональной возможностью реверсного направления вращения.

Возможно применение для нарезания резьбы при наличии специальной оснастки.

Особенности:

- чувствительный запуск, точность сверления
- полностью пластиковый корпус, легкий и прочный
- шестерни из высококачественного металла
- клавиша самоблокировки

Примечание: есть отсутствует

Модель	Двойная изоляция	Устройство регулировки скорости	Реверсное вращение	Клавиша самоблокировки	Режим сверления
PBM10-C1	<input checked="" type="checkbox"/>	<input type="checkbox"/>	<input checked="" type="checkbox"/>	<input checked="" type="checkbox"/>	<input checked="" type="checkbox"/>
PBM10-C1	<input checked="" type="checkbox"/>	<input type="checkbox"/>	<input checked="" type="checkbox"/>	<input checked="" type="checkbox"/>	<input checked="" type="checkbox"/>
PBM10-D	<input checked="" type="checkbox"/>	<input checked="" type="checkbox"/>	<input checked="" type="checkbox"/>	<input checked="" type="checkbox"/>	<input checked="" type="checkbox"/>

УСТРОЙСТВО ЭЛЕКТРИЧЕСКОЙ ДРЕЛИ



1 Зажимной патрон



Для моделей **PBM10-C1**, **PBM10-C2** патрон изготовлен из металла и пластика. Для модели **PBM10-D** патрон изготовлен из пластика. Для замены из сверла, ключ не требуется. Ослабление и затягивание патрона осуществляется вручную

2 Редуктор в сборе с регулятором крутящего момента



При сверлении отверстий в различных материалах есть возможность регулировки крутящего момента. Для установки нужного показателя совместить цифру на кольце регулятора со стрелкой на верхней части корпуса. Данной функцией обладают шуруповерты **PBM10-C1**, **PBM10-C2**

3 Клавиша включения



используется для запуска инструмента. Необходимо только нажать пальцем на клавишу, чем сильнее усилие нажатия на клавишу, тем быстрее скорость вращения инструмента. При отпускании клавиши, движение инструмента прекращается. На модели **PBM10-D** по центру клавиши включения расположено колесо регулировки скорости, им ограничивается максимальная скорость вращения инструмента.

4 Переключатель реверсного направления вращения



позволяет изменять направление вращения сверла, как по часовой, так и против часовой стрелки.

5 Клавиша самоблокировки

Необходимо для кратковременной непрерывной работы инструмента

6 Рукоятка

оснащена мягкими накладками для комфортной работы пользователя

7 Кольцо для подвешивания инструмента



служит для удобства во время работы на высоте.

8 Электрический кабель



состоит из внешнего резинового слоя, обеспечивая высокий уровень безопасности и устойчивость к высоким температурам, коррозии.

9 Корпус



выполнен из прочного пластика. Служит для размещения внутри корпуса двигателя и редуктора, обеспечивая необходимую электробезопасность пользователя

10 Электродвигатель дрели



А. Шестерня

для ее изготовления используется высококачественная легированная сталь, прошедшая обработку фрезой и термическую обработку закаливания, что значительно повышает точность сборки и износостойкость шестерен.



Г. Статор

медная нить внутри накручена полностью автоматическим способом, что увеличивает прочность, долговечность и срок эксплуатации статора.



Б. Выходной вал

на него устанавливается два подшипника, что значительно повышает точность и скорость сверления, уменьшает чувствование качения сверла во время работы.

Д. Вентилятор

своевременно осуществляет отвод большого объема тепла, выделяемого электродвигателем при работе, не допуская перегрева, достигая высокой эффективности охлаждения.



В. Ротор

внутренняя часть выполнена способом полностью автоматического накручивания нити (эмалевый провод выполнен из медной проволоки, обладает устойчивостью к высоким температурам 180°C), что

повышает срок службы ротора.

Содержание серебра в коммутаторе 8/10000, что делает поверхность коммутатора более гладкой, увеличивая срок эксплуатации.



Е. Угольные щетки

использующиеся на коммутаторе, являются скользящим контактом ввода и вывода электрического тока.

Для их создания используются импортные материалы.

Примечание:

На моделях **PBM10-C1**, **PBM10-C2**

редуктор в сборе с регулятором крутящего момента, кольцо для подвешивания.

ПРАВИЛА ЭКСПЛУАТАЦИИ

Правила индивидуальной безопасности при работе с электрической дрелью

1. Установите сверло в зажимной патрон до упора и надежно затяните зажимной патрон
Неправильная установка сверла опасна, так как может привести к выскальзыванию сверла в процессе работы.
2. Во время работы используйте перчатки из материала, который не скользит, например, из хлопка, шерсти и т.п.
3. Во время работы не дотрагивайтесь до сверла, в противном случае это может стать причиной сильных ожогов.
4. Убедитесь, что сверло надежно зафиксировано, прежде чем начать сверлить.
5. Прежде чем сверлить в стене, полу или потолке, необходимо убедиться, что в месте сверления не проложен электрический кабель.
6. Будьте осторожны при работе на высоте.

Перед началом работы обратить внимание:

1. Удостовериться, что подсоединенный источник питания соответствует данной модели электрической дрели и установлено защитное устройство от утечки электрического тока.
2. Сверло подходит к держателю и хорошо установлено.
3. Убедиться, что клавиша включения не находится в положении самоблокировки, иначе, при включении вилки в розетку источника питания начнется самопроизвольное вращение электрической дрели, что может привести к получению травмы человеком.
4. Если место работы находится в удалении от источника питания, то рекомендуется использовать удлинитель с достаточным сечением провода, соответствующим необходимым требованиям. Если провод удлинителя проходит через место, где ходят люди, то протянуть его по воздуху или предпринять меры чтобы кабель случайно не повредили.

Правила корректной эксплуатации электрической дрели

1. При сверлении отверстий в металле сначала отметить место керном, где будет происходить сверление.
2. При сверлении больших отверстий предварительно пройти маленьким сверлом, а затем уже использовать сверло большего диаметра для сверления.
3. При необходимости длительного сверления отверстий в металле предпринять меры по обязательному охлаждению сверла, чтобы сохранить его острым.
4. Строго запрещено удалять руками металлическую стружку, возникающую во время сверления, для этого использовать специальные инструменты.

ТЕХНИЧЕСКОЕ ОБСЛУЖИВАНИЕ

Электрическая дрель при нормальной работе подвержена неизбежному износу. Необходимо осуществлять за ней своевременный уход.

Ниже приведено несколько пунктов по обслуживанию электрической дрели:

1. Проверять сверла

Использование тупого сверла приводит к снижению эффективности работы, поэтому, при обнаружении – немедленно его заменить.

2. Проверять фиксирующие винты на корпусе электрической дрели

Перед началом эксплуатации проверить степень затяжки винтов на корпусе электрической дрели. При обнаружении раскрученных винтов необходимо немедленно подтянуть их, в противном случае, подобная ситуация может привести к поломке электрической дрели.

3. Проверять угольные щетки

Угольные щетки на электродвигателе являются расходным материалом. В случае если степень износа угольных щеток превышает имеющиеся ограничения, то это может привести к выходу из строя электродвигателя. В связи с этим изношенные щетки необходимо немедленно заменить.

4. Проверять заземление

Заземление является основной мерой безопасности. Для инструментов I класса (с металлическим корпусом) необходимо регулярно проверять качество заземления корпуса.

Обслуживание инструмента должно быть выполнено только квалифицированным персоналом уполномоченных сервисных центров.

УСЛОВИЯ ГАРАНТИЙНОГО ОБСЛУЖИВАНИЕ

1. Настоящее гарантийное свидетельство является единственным документом, подтверждающим Ваше право на бесплатное гарантийное обслуживание. Без предъявления данного свидетельства претензии не принимаются. В случае утери или порчи гарантийное свидетельство не восстанавливается.
 2. Гарантийный срок на электроинструмент составляет 12 месяцев со дня продажи, в течение гарантийного срока сервисная служба бесплатно устраняет производственные дефекты и производит замену деталей, вышедших из строя по вине изготовителя. На период гарантийного ремонта эквивалентный исправный инструмент не предоставляется. Заменяемые детали переходят в собственность служб сервиса. Компания P.I.T. не несет ответственности за вред, который может быть причинен при работе с электроинструментом.
 3. В гарантийный ремонт инструмент принимается в чистом виде, при обязательном наличии надлежащим образом оформленных документов: настоящего гарантийного свидетельства, гарантийного талона, с полностью заполненными полями, штампом торговой организации и подписью покупателя.
 4. Гарантийный ремонт не производится в следующих случаях:
 - при отсутствии гарантийного свидетельства и гарантийного талона или неправильном их оформлении;
 - при совместном выходе из строя якоря и статора электродвигателя, при обугливание или оплавлении первичной обмотки трансформатора сварочного аппарата, зарядного или пуско-зарядного устройства, при оплавлении внутренних деталей, прожиге электронных плат;
 - если гарантийное свидетельство или талон не принадлежат данному электроинструменту или не соответствует установленному поставщиком образцу;
 - по истечении срока гарантии;
 - при попытках самостоятельного вскрытия или ремонта электроинструмента вне гарантийной мастерской; внесения конструктивных изменений и смазки инструмента в гарантийный период, о чем свидетельствуют, например, заломы на шлицевых частях крепежа корпусных деталей.
 - при использовании электроинструмента в производственных или иных целях, связанных с получением прибыли, а также – при возникновении неисправностей связанных с нестабильностью параметров электросети, превышающих нормы, установленные ГОСТ;
 - при неправильной эксплуатации (использование электроинструмента не по назначению, установки на электроинструмент не предназначенных заводом-изготовителем насадок, дополнительных приспособлений и т.п.;
 - при механических повреждениях корпуса, сетевого шнура и при повреждениях, вызванных воздействиями агрессивных средств и высоких и низких температур, попадании инородных предметов в вентиляционные решетки электроинструмента, а также при повреждениях, наступивших в результате неправильного хранения(коррозия металлических частей);
 - при естественном износе деталей электроинструмента, в результате длительной эксплуатации(определяется по признакам полной или частичной выработки ресурса, сильного загрязнения, ржавчины снаружи и внутри электроинструмента, отработанной смазки в редукторе);
 - использование инструмента не по назначению, указанному в инструкции по эксплуатации.
 - при механических повреждениях инструмента;
 - при возникновении повреждений в связи с несоблюдением предусмотренных инструкцией условий эксплуатации(см. главу Указание по технике безопасности в инструкции).
 - повреждение изделия вследствие несоблюдения правил хранения и транспортировки.
- Профилактическое обслуживание электроинструмента (чистка, промывка, смазка, замена пыльников, поршневых и уплотнительных колец) в гарантийный период является платной услугой.
- Срок службы изделия установлен изготовителем и составляет 2 года со дня изготовления.
- О возможных нарушениях, изложенных выше условий гарантийного обслуживания, владелец сообщает после проведения диагностики в сервисном центре.
- Владелец инструмента доверяет проведение диагностики в сервисном центре в свое отсутствие.
- Запрещается эксплуатация электроинструмента при появлении признаков повышенного нагрева, искрения, а также шума в редукторной части. Для выяснения причин неисправности покупателю следует обратиться в гарантийную мастерскую.
- Неисправности, вызванные несвоевременной заменой угольных щеток двигателя, устраняются за счет покупателя.
5. Гарантия не распространяется на:
 - сменные принадлежности (аксессуары и оснастка), например: аккумуляторы, диски, ножи, сверла, буры, патроны, цепи, звездочки, канговые зажимы, шины, элементы натяжения и крепления, головки триммеров, подошвы шлифовальных и ленточных машин, фильтры и т.п.
 - быстроизнашивающиеся детали, например: угольные щетки, приводные ремни, сальники, защитные кожухи, направляющие ролики, направляющие, резиновые уплотнения, подшипники, зубчатые ремни и колеса, стволы, ленты тормоза, храповики и тросы стартеров, поршневые кольца и т.п. Замена их в течении гарантийного срока является платной услугой.
 - шнуры питания, в случае повреждения изоляции, шнуры питания подлежат обязательной замене без согласия владельца (услуга платная).
 - корпуса инструмента.

ГАРАНТИЙНОЕ СВИДЕТЕЛЬСТВО НА ИНСТРУМЕНТ P.I.T.

Наименование изделия _____

Артикул изделия Серийный номер

Дата продажи «__» _____

Наименование торговой организации _____

М.П.

Уважаемый покупатель!

Благодарим Вас за покупку инструмента P.I.T. и надеемся, что Вы останетесь довольны своим выбором. В процессе производства инструменты P.I.T. проходят многоуровневый контроль качества, если тем не менее Ваше изделие будет нуждаться в обслуживании, просим Вас обращаться в авторизированные сервисные центры P.I.T.

Внимание!

При покупке требуйте у продавца проверки комплектности и работоспособности инструмента, заполнение гарантийного свидетельства, гарантийного талона (графы заполняются продавцом) и простановки печати торговой организации в гарантийном свидетельстве и гарантийном талоне.

Гарантия

На основании данного гарантийного свидетельства компания P.I.T. гарантирует отсутствие дефектов производственного характера.

Если в течении гарантийного срока в Вашем изделии тем не менее обнаружатся указанные дефекты, специализированные сервисные центры P.I.T. бесплатно отремонтируют изделие и заменят дефектные запасные части.

Гарантийный срок на электроинструменты P.I.T. составляет 12 месяцев со дня продажи.

«С условиями гарантийного обслуживания ознакомлен(а). Работоспособность и комплектность изделия проверены в моем присутствии. Претензий к качеству и внешнему виду не имею».

Подпись покупателя _____ Фамилия(разборчиво) _____

Телефон _____

ГАРАНТИЙНЫЙ ТАЛОН P.I.T.



P. I. T. WARRANTY CARD

Name _____
Serial number _____
The date of sale 20____
The date of receipt of the repair 20____



Name _____
Serial number _____
Date of sale "" _____
(Filled by seller)

Seal is here

WARRANTY REPAIR CARD
date of acceptance for repair ____20____ .
Application for repair _____
Customer _____
Telephone (address) _____
The reason for petition _____
Tool checked in my presence _____
(The order is filled in the service center) (signature)

Seal is here

Name _____
Serial number _____
The date of sale 20____
The date of receipt of the repair 20____



Name _____
Serial number _____
Date of sale "" _____
(Filled by seller)

Seal is here

WARRANTY REPAIR CARD
date of acceptance for repair ____20____ .
Application for repair _____
Customer _____
Telephone (address) _____
The reason for petition _____
Tool checked in my presence _____
(The order is filled in the service center) (signature)

Seal is here

Name _____
Serial number _____
The date of sale 20____
The date of receipt of the repair 20____



Name _____
Serial number _____
Date of sale "" _____
(Filled by seller)

Seal is here

WARRANTY REPAIR CARD
date of acceptance for repair ____20____ .
Application for repair _____
Customer _____
Telephone (address) _____
The reason for petition _____
Tool checked in my presence _____
(The order is filled in the service center) (signature)

Seal is here

ГАРАНТИЙНЫЙ ТАЛОН P.I.T.

 Наименование _____
 Серийный номер _____
 Дата продажи «__» _____ 20 __ г.
 (Заполняется продавцом)

М.П.

КАРТА ГАРАНТИЙНОГО РЕМОНТА __

 Дата приема в ремонт __ __ 20 __ г.
 Заявка на ремонт _____
 Заказчик _____
 Телефон(адрес) _____
 Причина обращения _____
 Дата получения из ремонта __ __ 20 __ г.
 Инструмент проверен в моем присутствии _____
 (Заказ заполняется в сервисном центре) (подпись)

М.П.

 Наименование _____
 Серийный номер _____
 Дата продажи «__» _____ 20 __ г.
 Дата получения из ремонта «__» _____ 20 __ г.

 Наименование _____
 Серийный номер _____
 Дата продажи «__» _____ 20 __ г.
 (Заполняется продавцом)

М.П.

КАРТА ГАРАНТИЙНОГО РЕМОНТА __

 Дата приема в ремонт __ __ 20 __ г.
 Заявка на ремонт _____
 Заказчик _____
 Телефон(адрес) _____
 Причина обращения _____
 Дата получения из ремонта __ __ 20 __ г.
 Инструмент проверен в моем присутствии _____
 (Заказ заполняется в сервисном центре) (подпись)

М.П.

 Наименование _____
 Серийный номер _____
 Дата продажи «__» _____ 20 __ г.
 Дата получения из ремонта «__» _____ 20 __ г.

 Наименование _____
 Серийный номер _____
 Дата продажи «__» _____ 20 __ г.
 (Заполняется продавцом)

М.П.

КАРТА ГАРАНТИЙНОГО РЕМОНТА __

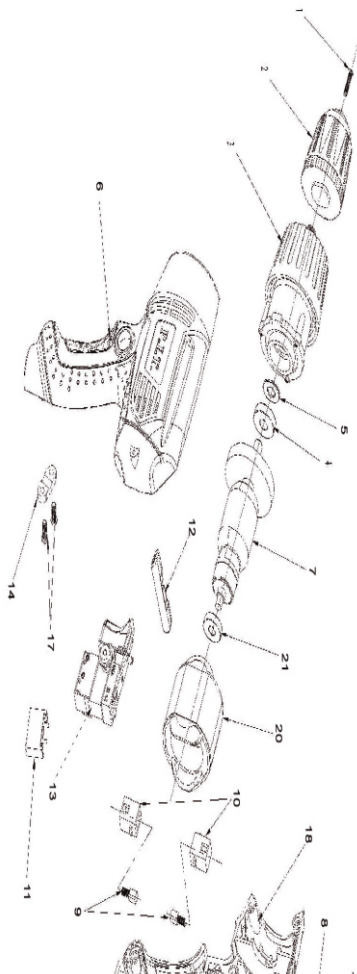
 Дата приема в ремонт __ __ 20 __ г.
 Заявка на ремонт _____
 Заказчик _____
 Телефон(адрес) _____
 Причина обращения _____
 Дата получения из ремонта __ __ 20 __ г.
 Инструмент проверен в моем присутствии _____
 (Заказ заполняется в сервисном центре) (подпись)

М.П.

 Наименование _____
 Серийный номер _____
 Дата продажи «__» _____ 20 __ г.
 Дата получения из ремонта «__» _____ 20 __ г.

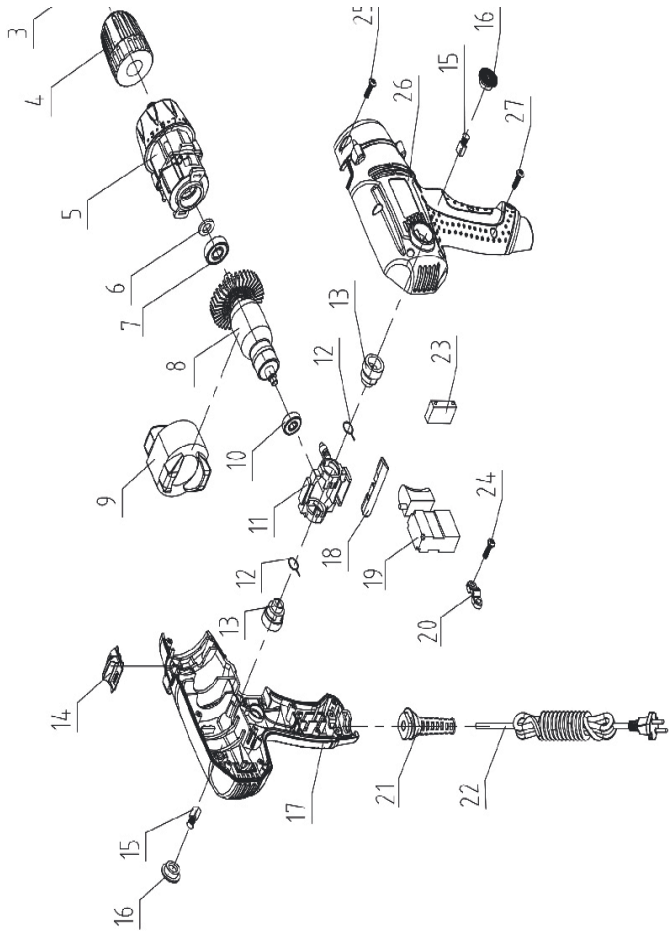


PBM10-C1



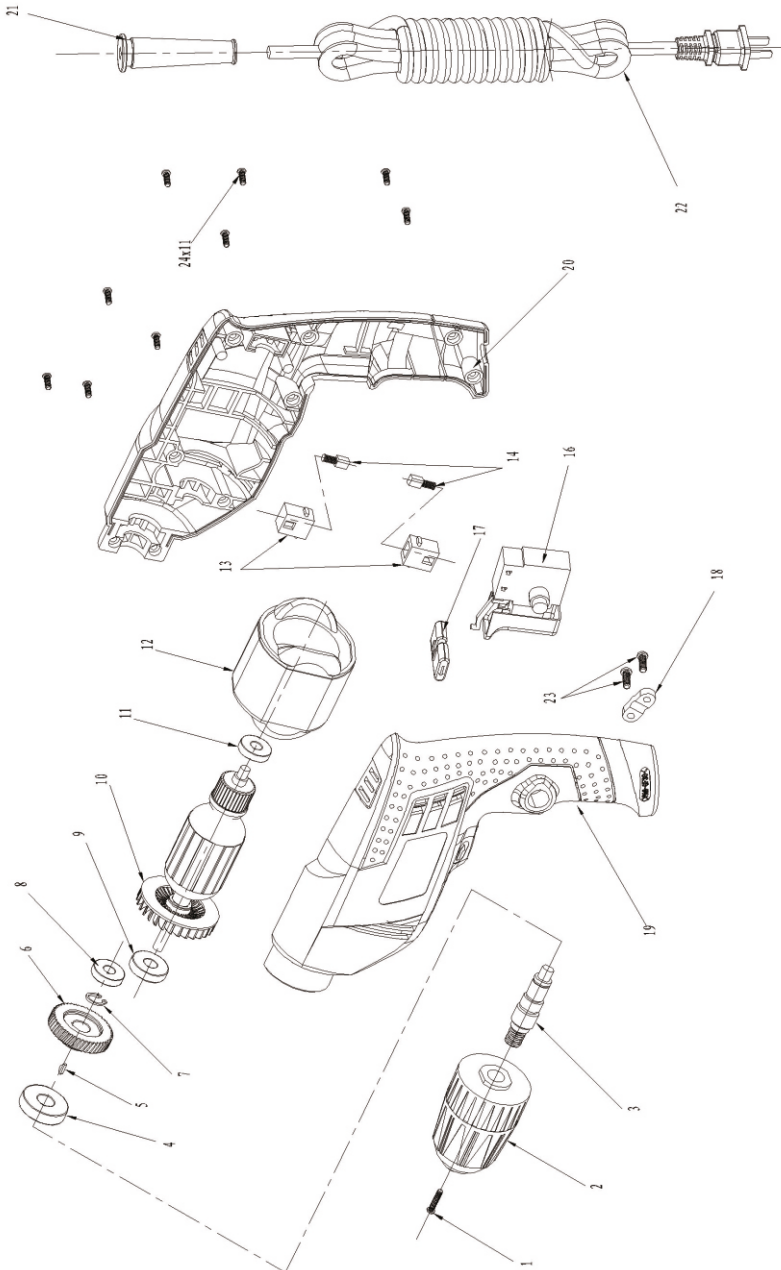


PBM10-C2





PBM10-D





Поставщик / производитель: Xinjiang Longbo Industrial Co., Ltd./Синзянь Лонгбо Индастриал Ко., Лтд.
Адрес производства: Rm. 602, 6th Floor, No. 531, Weixing Road, Economic And Technological Development Zone, Urumqi, Xinjiang, China / Оф.602, 6 этаж, №531, Вейшинг Родд, Экономик Энд Технолоджиал Девелопмент Зон, Урумчи, Синзянь, Китай
Импортер/ организация, уполномоченная принимать претензии: ООО «Турбо-Тулс»
Юридический адрес: 614058, Пермский край, г. Пермь, ул. Фоминская, 36
info@pittools.ru
Сделано в КНР / Made in China

